



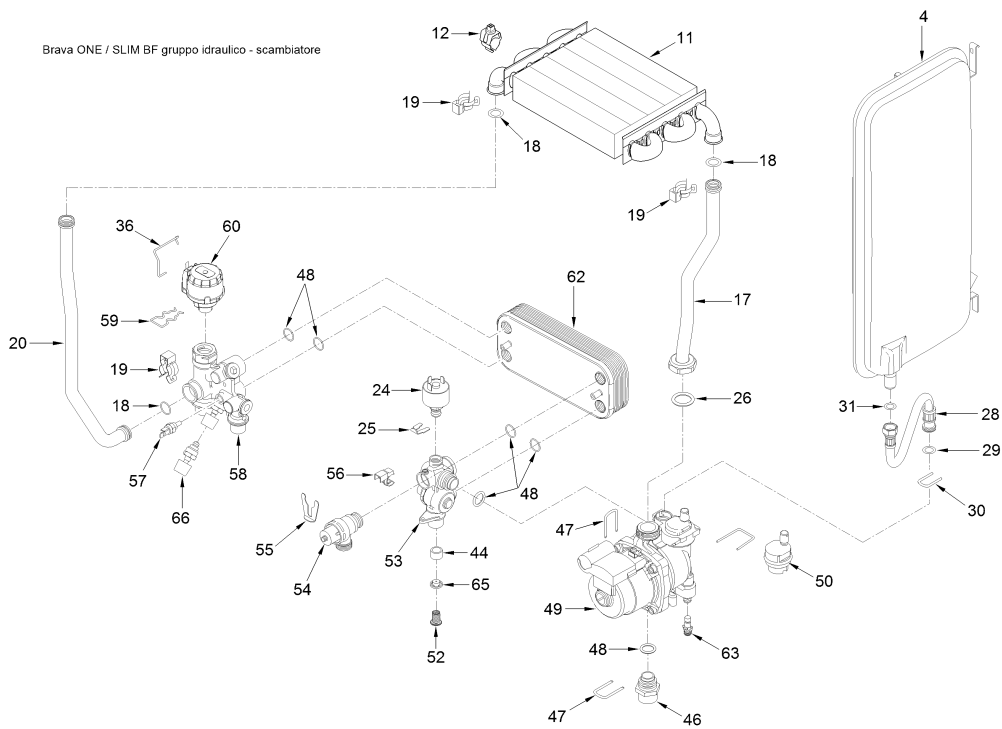
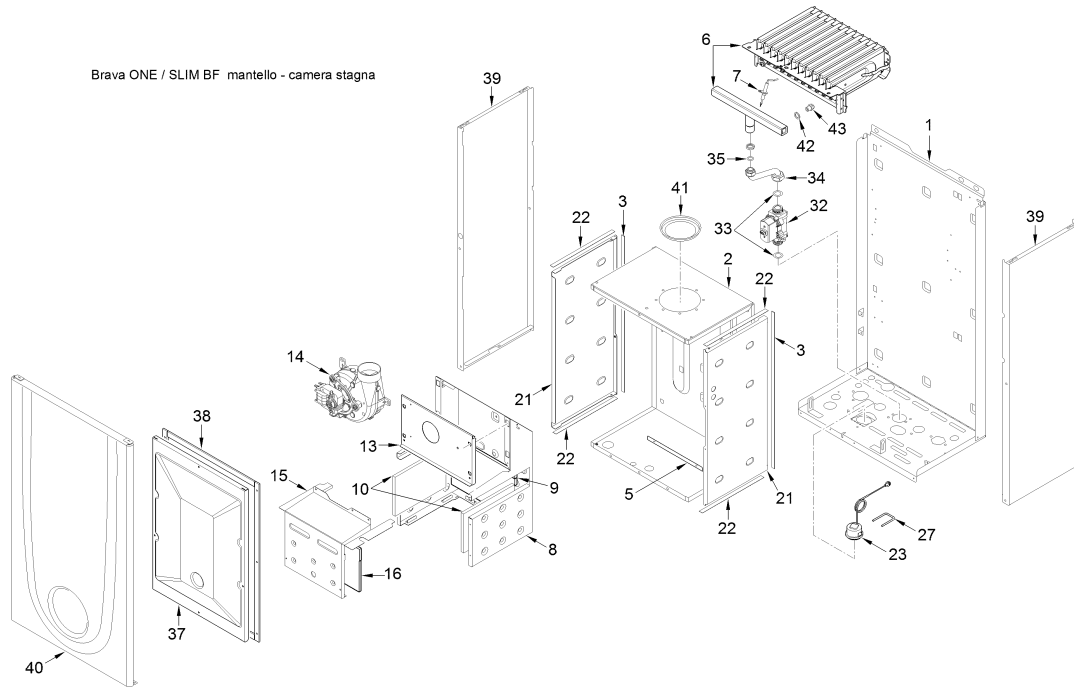
Fonderie Sime S.p.A. - Via Garbo, 27 - 37045 Legnago (VR) - www.sime.it
Tribunale Verona 13531 - R.E.A. VR 171357 - C.C.P. 19423375 - N° Mecc. VR 014435
Capitale Sociale Euro 5.521.200 int. versato - Codice Fiscale/Partita IVA n. IT 01275930236

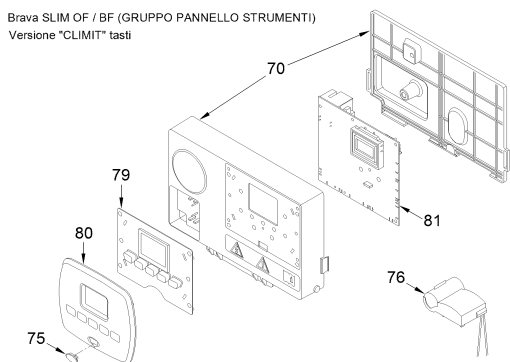
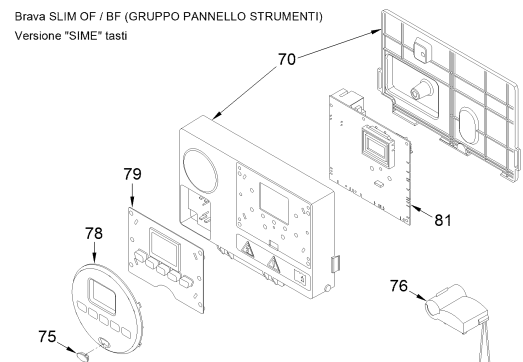
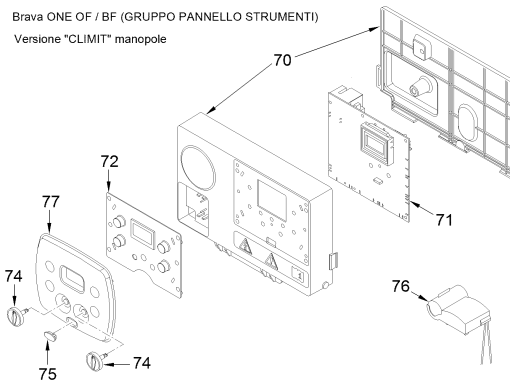
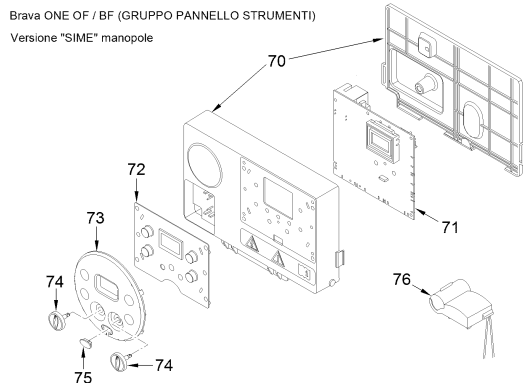
Comfort Ambiente - Via Garbo, 27 - 37045 Legnago (VR)

Tel +39 0442 631111 - Fax Servizio Commerciale: Italia +39 0442 631291 - Estero +39 0442 631293

Fax Servizio Tecnico +39 0442 631292 - Fax Ufficio Acquisti +39 0442 631292 - Fax Amministrazione +39 0442 631336

8112100 CALD.MET. BRAVA ONE 25 BF





Posiz.	Codice	Descrizione
001	6264560	Boiler fixing bracket
002	6317601	Sealed chamber rear panel
003	6229838	Gasket for sealed chamber
004	5183728	Rectang. expansion vessel 8 l.
005	6257531	Air deflector
006	5198210	Main burner assembly
007	6235935	Ignition-ionisation electrode
008	6318520	Smoke chamber assembly
009	6318740	Combustion chamber rear insulat
010	6318710	Combustion chamber side insulat
011	6174275	Gas/Water heat exchanger
012	6231362	NTC sensor
013	6318600	Sealed chamber front panel
014	6225643	Fan
015	6317900	Combustion chamber front panel
016	6318730	Combustion chamber side insulat
017	6264863	C.H. return pipe
018	6226412	O-ring 3068
019	6226601	Spring for heat exchanger conne
020	6227458	Flowing pipe to C.H. system
021	6288210	Sealed chamber side panel
022	6229837	Gasket for sealed chamber
023	6146101	Hydrometer
024	6037510	Water pressure switch
025	6226639	Spring clip
026	2030267	Piracriten gasket Ø 30x17x2
027	6226628	Hydrometer Fixing spring
028	6017405	Flexible pipe M.F. 3/8" L=300
029	6226476	ORing diam.15x2
030	6226643	Pipe fixing spring
031	2030226	Gasket Ø 10,2x14,8x2
032	6243838	Gas valve
033	2030249	Gasket Ø 24x17x3
034	6195216	Gas inlet pipe
035	2030255	Gasket Ø 12,5x18,5x3
036	6226638	Divertor valve motor spring cli
037	6317700	Sealed chamber front panel
038	5192208	Gasket for sealed chamber
039	6304480	casing left/right side panel
040	6325030	Casing front panel
041	6028621	Air diaphragm Ø 79
042	6022004	Copper washer Ø 6
043	6154402	Main burner nozzle NP 130 natur
046	6120560	Pump nipple 3/4"
047	6226644	Spring clip for rotating connec
048	6226475	ORing diam.18,64x3,53

25-30 MET

049	6272340	Circulating pump	
050	6013182	Automatic air vent	
052	6222003	D.H.W. filter	
053	6265830	C.H. return manifold	
054	6040225	Pressure relief valve 1/2" 3 ba	
055	6226645	Spring clip	
056	6131440	Flowmeter sensor	
057	6231351	Plunged sensor	
058	6265870	C.H. flow manifold	
059	6226636	D.H.W. elektrovalve fix.spring	
060	6087332	Motor for diverting valve	
062	6265655	10 plate-type heat exchanger	
063	6319643	Discharger cock	
066	6319639	Filling cock	
070	6304720	Control panel	
071	6324910	Main P.C.B.	
072	6305130	Rubber button	
073	6304830	Interface panel	
074	6290150	Knob Ø 25	
075	6305140	Rubber cap	
076	6245374	Circulating pump connector	
700	5202130	Hydraulic group DIN	
701	5144716	Conversion kit to LPG	25 BF
702	6281534	Gaskets kit	
703	6319695	Murelle-Format-.....o-ring kit	
704	5202300	Complete control panel	
705	6323875	6 pole cable connector	
706	6323876	4 pole cable connector	
708	6323878	9 pole cable connector	
709	6323879	4 pole cable connector	
712	6323891	14 pole cable connector	
714	6319700	Springs / clamps kit DIN	
715	6319644	Flowmeter group	
716	6319645	Three-way plates group	